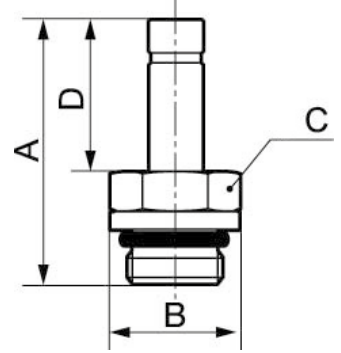


## CONEX PUSH-TO-CONNECT FITTINGS; CONEX PUSH-TO-CONNECT FITTINGS

Connector - RPJ PG



<b>Min/max operating pressure</b> 0 / 145 psi	<b>Temperature min/max</b> 32 / 140 °F
--	---

Part number	Male thread	Net weight (Kg)	Dim. A (inch)	Dim. B (inch)	Dim. C (inch)	Dim. D (inch)
RPJ PG0801	G1/4	0.02	1.34	0.77	0.67	0.83